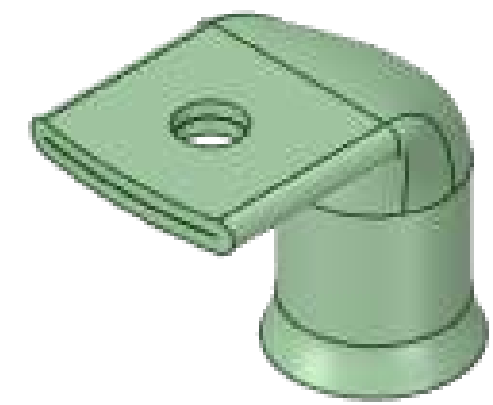
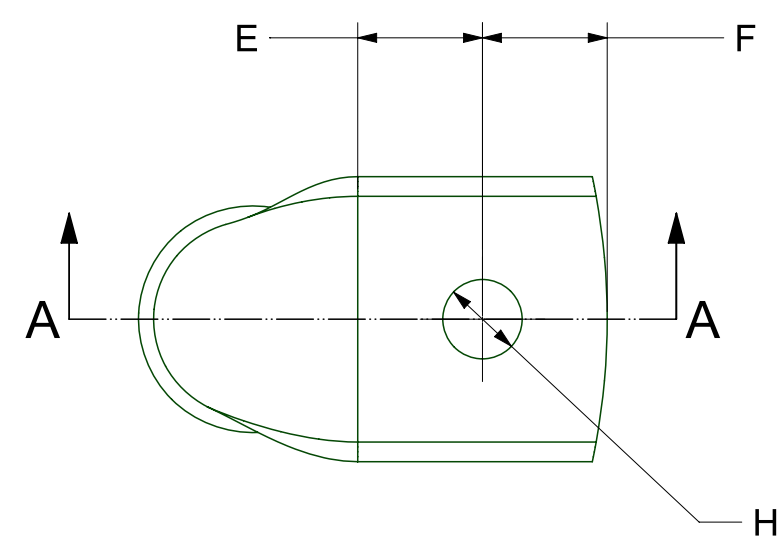
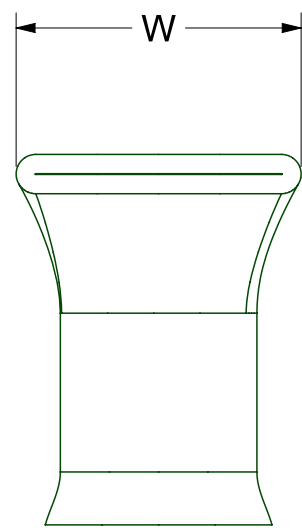
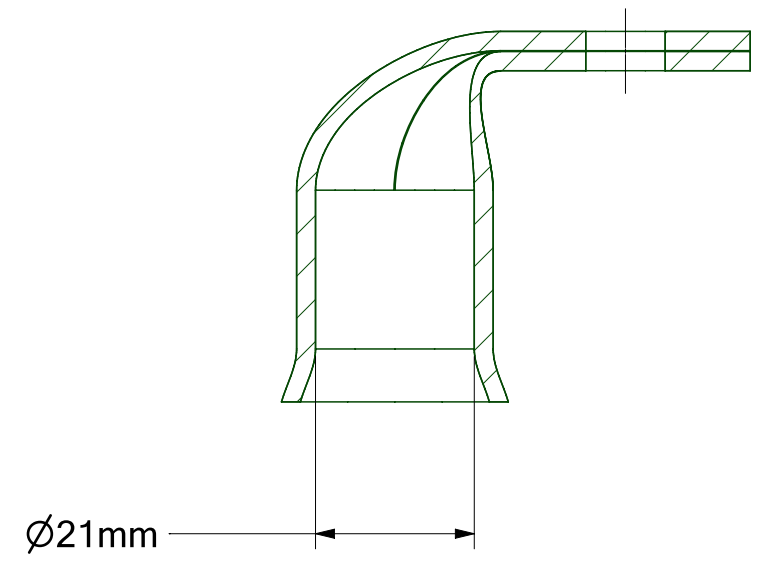


REVISION HISTORY	
1	Original Concept



**SECTION A-A**



PART NO.	H (mm)	E (mm)	F (mm)	W (mm)
TCHD-B90-240-0	N/A	N/A	33.0	37.7
TCHD-B90-240-6	6.5	16.5	16.5	37.7
TCHD-B90-240-8	8.5	16.5	16.5	37.7
TCHD-B90-240-10	10.5	16.5	16.5	37.7
TCHD-B90-240-12	13.0	16.5	16.5	37.7
TCHD-B90-240-14	14.5	16.5	16.5	37.7
TCHD-B90-240-16	16.5	16.5	16.5	37.7
TCHD-B90-240-18	18.5	16.5	16.5	37.7
TCHD-B90-240-20	20.5	16.5	16.5	37.7

**UOS - LINEAR TOLERANCE PERMISSABLE DEVIATIONS FOR SIZE RANGE:**  
Tolerances according to DIN ISO 2768 (V)

DIMS IN MM	0.5 to 3	>3 to 6	>6 to 30	>30 to 120	>120 to 400	>400 to 1000	>1000 to 2000	>2000 to 4000
	-	±0.5	±1.0	±1.5	±2.5	±4.0	±6.0	±8.0

**TOTAL CONNECTIONS**  
Total Connections 2009 LTD  
www.tc2009.co.uk  
sales@tc2009.co.uk  
Tel 01249 812 707

Drawing No. TCDR 2000  
Part No. TCHD-B90-240-RANGE  
Material. CW024A (C106) COPPER  
Finish. 5MICRON ELECTRO TIN PLATED  
SIZE A3 Date 21/04/2021 Created By: Dan Hewlett  
SCALE 1:1 SHEET 1 of 1  
REV 1